



Installation Instructions

Jeep Lifestyle Bumper

Product Number: B1450

Application: Jeep TJ 97-Present

SAFETY

Your safety and the safety of others is very important.

- In order to help you make informed decisions about safety, we have provided installation instructions and other information.
- These instructions alert you to potential hazards that could hurt you or others.
- Please do a job safety analysis (JSA) before each task to identify potential hazards for your situation and remove/protect against them.
- You must use your own good judgment, and take your time.

Read and understand all safety precautions and instructions before installing this product.

THIS PRODUCT IS FOR OFFROAD USE ONLY. ALL LIABILITY FOR INSTALLATION AND USE RESTS WITH THE PURCHASER.

CARELESS INSTALLATION AND OPERATION CAN RESULT IN SERIOUS INJURY OR EQUIPMENT DAMAGE.

Injury Hazard

Failure to observe these instructions could lead to severe injury or death.

- Always** remove jewelry and wear eye protection.
- Always** use extreme caution when jacking up a vehicle for work. Set emergency brake and use tire blocks. Locate and use the vehicle manufacturers designated lifting points. Use jack stands.
- Always** use appropriate and adequate care in lifting components into place.
- Always** insure components will remain secure during installation and operation.
- Always** wear safety glasses when installing this kit. A drilling operation will cause flying metal chips. Flying chips can cause serious eye injury.
- Always** use extreme caution when drilling on a vehicle. Thoroughly inspect the area to be drilled (on both sides of material) prior to drilling, and relocate any objects that may be damaged.
- Always** use extreme caution when cutting and trimming during fitting.
- Always** tighten all nuts and bolts securely per installation instructions.
- Always** route electrical cables carefully. Avoid moving parts, components that become hot and rough or sharp edges.
- Always** insulate and protect all exposed wiring and electrical terminals.
- Always** perform regular inspections and maintenance on mounts and related hardware.





Installation Instructions

Jeep Lifestyle Bumper

Product Number: B1450

Application: Jeep TJ 97-Present

I. Overview

Congratulations on your new purchase of the industries best Jeep Front Bumper! This bumper has been **engineered** for strength while keeping the weight down.

Your bumper was designed in 3-D from digitized data, CNC laser cut, fabricated and powder coated...all in the U.S.A.

Enjoy the fit and finish of a quality Jeep Bumper from Fab Fours Inc!





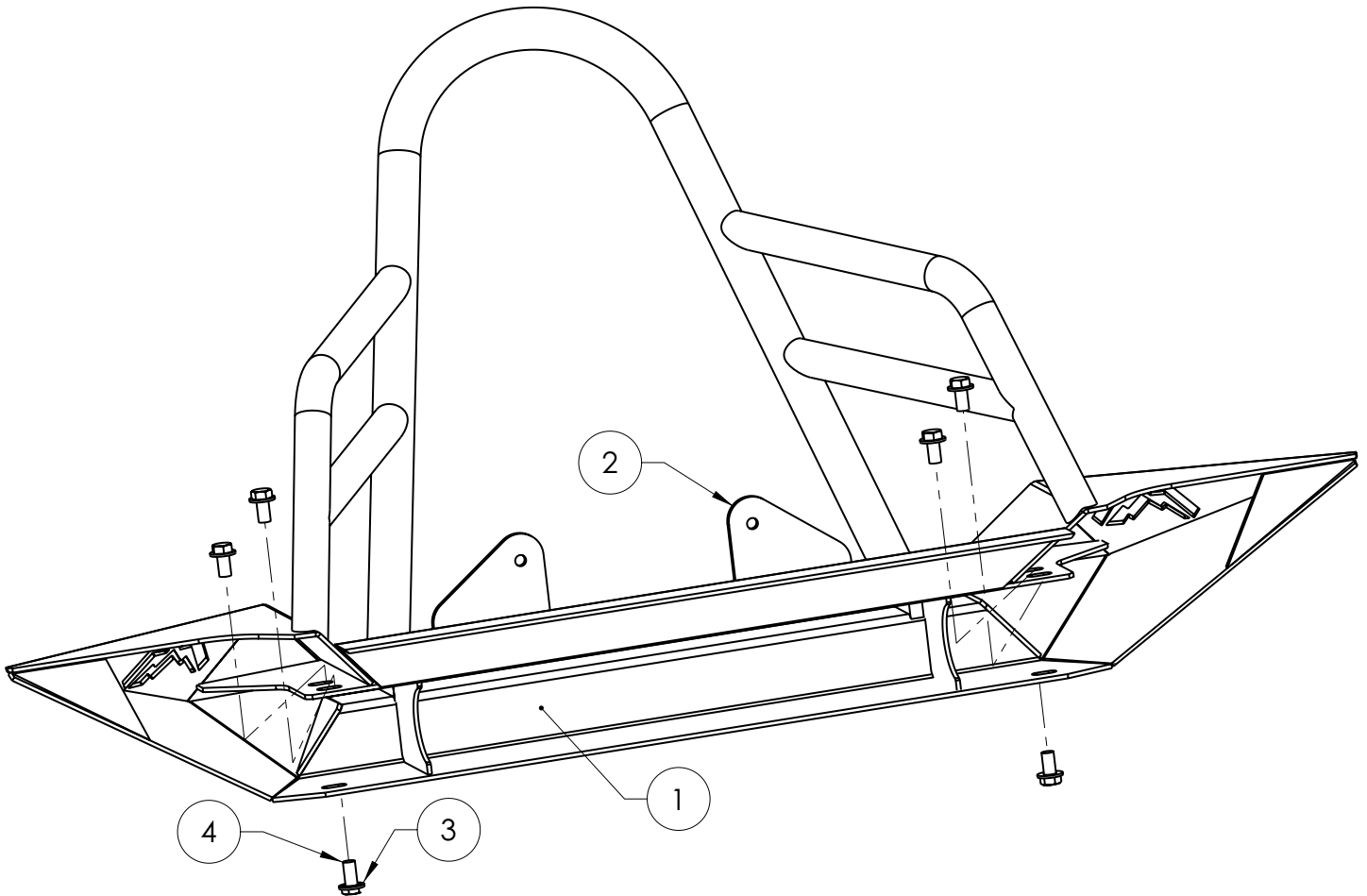
Installation Instructions

Jeep Lifestyle Bumper

Product Number: B1450

Application: Jeep TJ 97-Present

II. Parts List



ITEM	Part Number	DESCRIPTION	QTY.
1	20018	JT97-B,Front Bumper Weldment	1
2	20019	Fairlead/Winch Mount Tray	1
3	61164	½" SCREW DIA, SAE STANDARD FLAT WASHER	6
4	60118	½ -13 UNC THREAD x 1" LENGTH HEX HEAD CAP SCREW	6

III. Tools Required

- 10mm Socket
- T55 Torx bit/Socket
- Socket wrench
- ¾" Socket





Installation Instructions

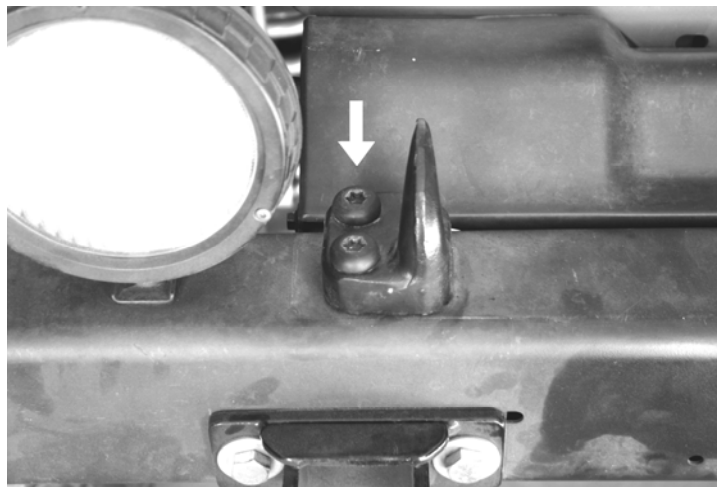
Jeep Lifestyle Bumper

Product Number: B1450

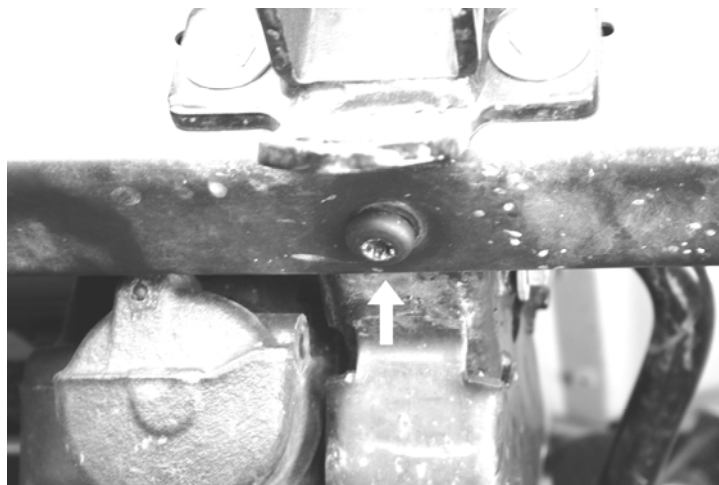
Application: Jeep TJ 97-Present

IV. Vehicle Preparation

- ❑ A) Disconnect factory fog lamp assembly
- ❑ B) Remove 6 T55 torx bolts holding factory bumper to frame. Three per side, two on the top and one on the bottom (retain two shorter bottom torx bolts for new bumper installation). (Picture #1 & #2)



Picture #1: Bumper Top



Picture #2: Bumper Bottom





Installation Instructions

Jeep Lifestyle Bumper

Product Number: B1450

Application: Jeep TJ 97-Present

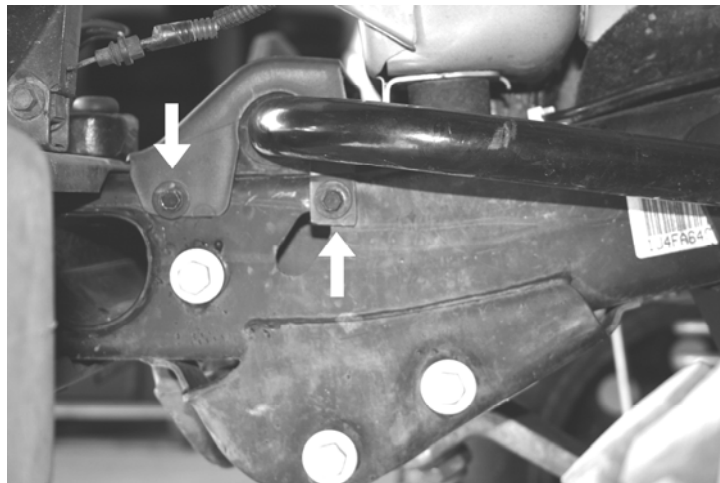
- C) Remove factory

bumper.(Picture #3).



Picture #3: Front Bumper (shown w/o sway bar cover)

- D) Remove sway bar cover, four 10mm bolts, two per side. (Picture #4)



Picture #4: Two Bolts





Installation Instructions

Jeep Lifestyle Bumper

Product Number: B1450

Application: Jeep TJ 97-Present

V. Jeep Lifestyle Bumper Installation

- A) Slide new bumper over frame and align mounting locations.
- B) Install 3/4" bolts w/ washers (#3, #4) to bottom of frame, do not tighten fully. Repeat for other side.



Picture #5: Bottom Torx

- C) Install two 3/4" bolts w/ washers (#3, #4) through top of bumper and into frame. Repeat for other side. (Picture #6)



Picture #6: 3/4" Bolts

- D) Tighten all bolts.





Installation Instructions

Jeep Lifestyle Bumper

Product Number: B1450

Application: Jeep TJ 97-Present

VI. Maintenance/Care

- Periodically check and tighten any nuts that appear to be loose
- Stripped, fractured, or bent bolts or nuts need to be replaced.

VII. Contact Information

Fab Fours Inc.
1166 S Skyline Bldg #3
Durango, CO 81303

Phone (970)-385-1905
Fax (970)-385-1914
Email Support@fabfours.com



More than expected... Better than expected

